



OWNER'S MANUAL

Tow-Behind / Universal Mount

Debris Blowers for the professional Blow the Competition Away..

Safety, Assembly, Operating, and Maintenance Instructions

Models

PB-18KBDC-TR

PB-18KBDC

**Please Read all safety and
operating instructions before
using machine.**

SELBRO
INCORPORATED

**P.O. Box 595
Bellevue, OH 44811
419-483-9918
419-483-8128 fax
www.selbro.com
Salesinfo@selbro.com**

Table of Contents

	page
1) Applications and uses _____	1
2) Service information _____	2
3) Safety Information _____	2,3,4
4) Warnings (Do Not) _____	4
5) Warnings (Do) _____	4
6) Engine and Fuel Warnings _____	4
7) Blower Assembly _____	5
8) Operating Instructions _____	6
9) Maintenance _____	6
10) Exploded View _____	7,8
11) Parts List _____	9

1) Applications and uses:

The versatility of the LandShark Blower makes it ideal for a wide range of uses. Blowing leaves, Drying Tennis courts, Blowing grass clippings, Cleaning parking lots, cleaning driveways, preparing roof surfaces before repairs are made, blowing thatch from golf course greens and tees.

Thank you for purchasing a LandShark high output debris blower. The machine you have is designed for the professional and will provide many years of service.

This manual provides information for safe and efficient operation and service. It is important that you read and understand this manual before operating your blower.



Warning: The engine exhaust from this product contains chemicals known to the State of California to cause cancer, birth defects or other reproductive harm.

2) Service information

Engine: Refer to the enclosed Engine Manual provided by the engine manufacturer or an authorized repair facility for replacement parts and engine warranty.

Blower Components: Contact your local LandShark dealer.

3) Safety Information



WARNING

DANGER



This symbol indicates important safety instructions

**When you see this symbol,  pay special attention to its warning!!
Stay Alert!!**



WARNING

DANGER



TO REDUCE THE POTENTIAL FOR ACCIDENTS, ALWAYS COMPLY WITH THE SAFETY INSTRUCTIONS IN THIS MANUAL. FAILURE TO DO SO MAY RESULT IN PERSONAL INJURY AND / OR EQUIPMENT AND PROPERTY DAMAGE.



WARNING

DANGER



IMPROPER USE OR CARE OF THE BLOWER, FAILURE TO WEAR PROPER SAFETY PROTECTION CAN RESULT IN SERIOUS INJURY.

READ AND UNDERSTAND THE RULES FOR SAFE OPERATION AND ALL INSTRUCTIONS IN THIS MANUAL.

WEAR HEARING AND EYE PROTECTION AT ALL TIMES WHEN OPERATING THIS BLOWER



Safety Decals

An important part of the safety information for this blower are the safety decals found on various parts of the blower. These decals must always remain visible and in good condition. It is your responsibility to replace the decals if they become worn, damaged or hard to read. A sample of the decal is shown.

Caution: Thrown Objects.

Keep Bystanders away

Always wear Eye and Ear protection



IMPORTANT
Before performing any service or maintenance, disconnect the spark plug wire and make sure the throttle and kill switch is in the off position.

Read and understand the owners manual. Pay particular attention to ALL sections regarding safety. Keep your owners manual in a secure place for future reference.


Keep hands and feet away from discharge areas. Rotating fan will cause serious injury.

P/N 1100-074
Warning Label



General safety Rules

A) Read and understand the operators manual. Pay specific attention to all areas pertaining to safety. Keep your operators manual in a secure place.

B)  WARNING --- KEEP CHILDREN, PETS, and BYSTANDERS AWAY ---Do not permit children to touch blower. Keep children a safe distance away from work area. Never allow a person under the influence of alcohol or drugs to operate the blower.

C) DO NOT OVERREACH OR STAND ON UNSTABLE SURFACES when operating the blower. Keep good footing at all times.

D) WHEN OPERATING MULTIPLE MACHINES ---Keep a safe distance between operators when working simultaneously.

WARNING



DANGER



Misuse of blower or failure to follow all safety precautions may result in serious injury to the operator or others.

read and understand the following before attempting to operate this blower!!!

▲ 4) WARNINGS --- DO NOT DO!

- A) ▲ DANGER ROTATING FAN --- KEEP HANDS AWAY. DO NOT attempt to clear debris of any sort from the intake area or discharge area of the blower while the engine is running.**
- B) DO NOT POINT THE BLOWER DISCHARGE OUTLET in the direction of people, cars, glass, or other items which could be injured or damaged by flying debris.**
- C) DO NOT ATTEMPT TO REPAIR BLOWER --- repairs should be made by an authorized LandShark dealer. Make sure that only LandShark and recommended engine manufacturer's parts are used.**

▲ 5) WARNINGS --- DO!

- A) BE SURE BLOWER IS PROPERLY ASSEMBLED --- Never operate the blower without all guards and deflectors in place. Make sure all hardware is properly tightened and secure.**
- B) KEEP HANDS AWAY FROM AIR INTAKE AND AIR OUTLET CHUTE --- Keep both hands on handle at all times when operating the blower.**
- C) ALWAYS KEEP THE THROTTLE (if equipped) IN THE "STOP" POSITION WHEN NOT IN USE.**
- D) DRESS PROPERLY --- Do not wear loose clothing or jewelry. These items can be pulled into moving parts. Safety glasses and ear protection are recommended.**
- E) MAINTENANCE IS IMPORTANT --- Follow the routine maintenance instructions provided in this manual and your engine manual..**

▲ 6) ENGINE / FUEL WARNINGS

▲ WARNING DANGER ▲

HANDLE FUEL WITH CARE, IT IS HIGHLY FLAMMABLE. FUELING A HOT ENGINE OR NEAR AN IGNITION SOURCE CAN CAUSE FIRE AND RESULT IN SERIOUS PERSONAL INJURY AND / OR PROPERTY DAMAGE.

- A) Do not smoke when handling fuel.**
- B) Do not refuel an engine that is hot or running.**
- C) Do not refuel indoors.**
- D) Do not start or run indoors as poisonous carbon monoxide is emitted.**
- E) Do not operate in un-ventilated area.**
- F) Avoid spilling fuel or oil.**

WARNING - All debris blowers are shipped without oil. When filling with oil, refer to the engine manufacturers operating instructions for proper type and amount.

7) Blower Assembly Instructions

See illustrated parts list.

Fan Removal

(This procedure should only be performed at a qualified dealer)

- 1. Remove intake guard and ring.**
- 2. Remove 3 bolts securing fan to tapered bushing. Place a 1 1/8" socket or spacer over crank shaft and tap with hammer to drive bushing back toward engine. (8 Hp and above only) This will release fan and allow easy removal. Note: On 6Hp models, the socket or spacer will vary in size according to the crankshaft.**
- 3) When re-installing, replacement of the taper bushing is recommended. Be sure to follow All tightening and torque specifications.**



8) Operating Instructions

Refer to engine manual for engine operation. Follow the directions in the engine manual for proper oil and quantity.

Leaves, thatch, debris and other materials can be directed into windrows or piles making clean up easier and faster.

The horizontal discharge deflector directs air downward to “chisel” under wet heavy leaves and litter. Slight changes in deflector angle will have a big effect on air direction and flow.

Experiment until you find the best performance.

Keep engine and blower intake free from debris.

9) Maintenance Instructions

Keep all nuts, bolts and screws tight.

Never store the blower with fuel in the tank inside a building or confined space where fumes can accumulate and potentially ignite.

Engine - 4 cycle- Refer to the manufacturers operating instructions regarding fuel recommendations, starting and storage. All safety labels should inspected and clearly visible to the operator.

To prevent accidental starting, disconnect the spark plug wire when servicing engine or blower.

Check oil regularly.



Warning: The engine exhaust from this product contains chemicals known to the State of California to cause cancer, birth defects or other reproductive harm.



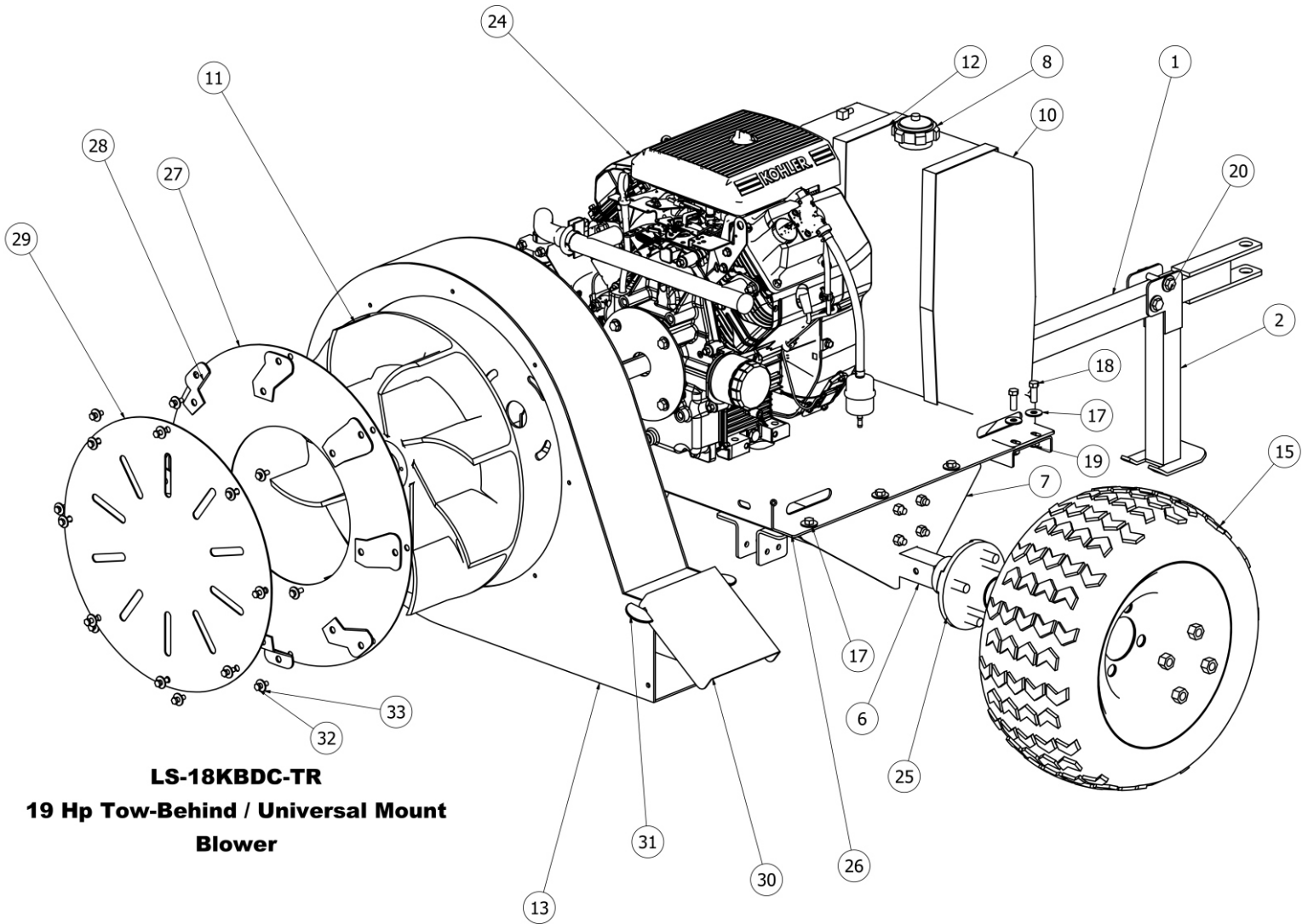
SELBRO
INCORPORATED

P.O. Box 595
Bellevue, Ohio 44811
Phone 419-483-9918
Fax 419-483-8128

Toll Free 1-800-9SELBRO

Parts Illustration

Model LS-18KBDC-TR



LS-18KBDC-TR
19 Hp Tow-Behind / Universal Mount
Blower



Part Numbers - Description

LS-18KBDC-TR 19 HP Tow Behind / Universal Mount Blower

PARTS LIST				
ITEM	QTY	PART NUMBER	DESCRIPTION	
1	1	11448	TONGUE ASSEMBLY	
2	1	11219	TONGUE JACK	
6	1	11449	AXLE ASSEMBLY	
7	1	11204	AXLE MOUNT RIGHT	
8	1	11244	FUEL TANK CAP	
9	1	11205	AXLE MOUNT LEFT	
10	1	11246	FUEL TANK - 5 GAL	
11	1	11431	IMPELLER - 18" ALUMINUM	
12	2	11267	FUEL TANK STRAP	
13	1	11458	BLOWER HOUSING	
15	2	11654	18-8.50X8 WHEEL ASSEMBLY	
17	29	11155	.375" FLAT WASHER	
18	18	11376[1.000 Length]	3/8-16 x 1" HHCS	
19	22	11150	3/8-16 NYLON LOCK NUT	
20	2	11919	3/8-16 x 2.500" HHCS	
24	1	12229	19 HP KOHLER SPEC ENGINE	
25	2	11667	WHEEL HUB ASSEMBLY	
26	1	11450	MOUNT BASE FRAME	
27	1	11438	INTAKE RING	
28	8	1100-003	GUARD STAND OFF	
29	1	11437	INTAKE GUARD	
30	1	11292	DISCHARGE PLAP	
31	2	375 Thumb	THUMB SCREW	
32	16	11103-5	5/16-18 x .750" HHCS	
33	16	11845	.250" WASHER	

